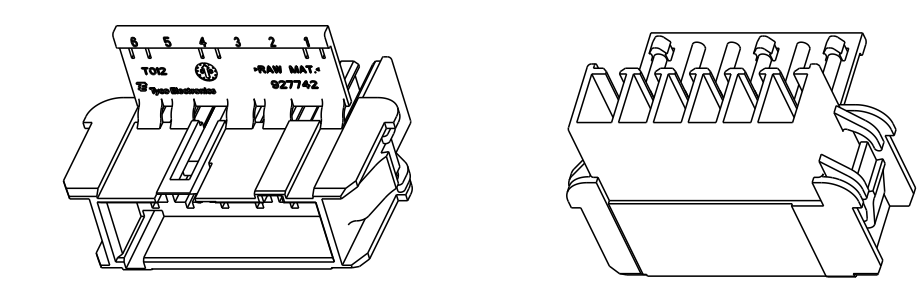
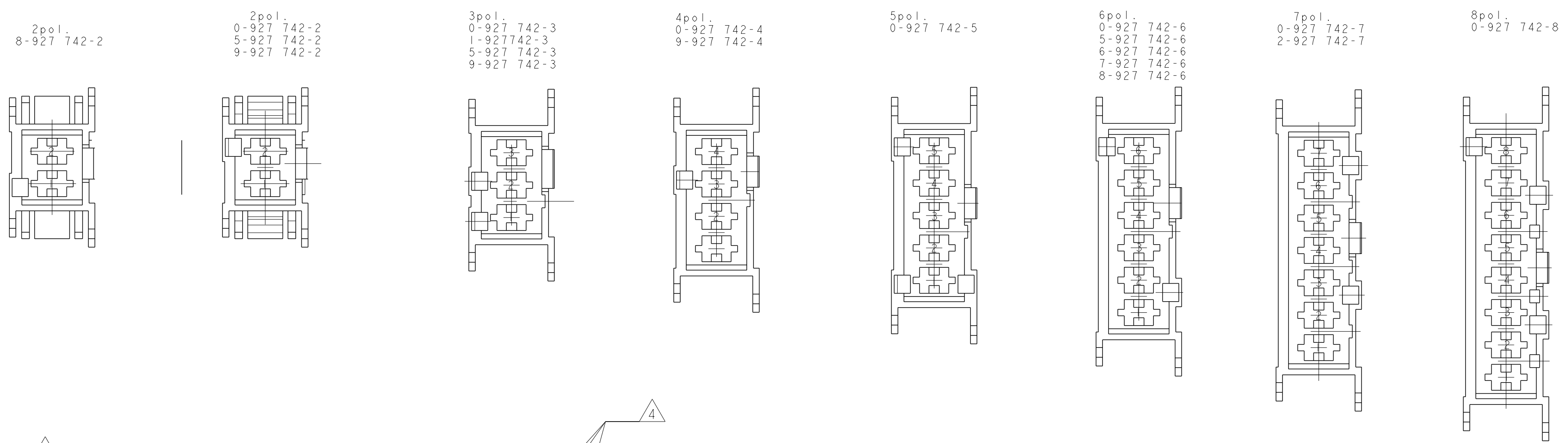


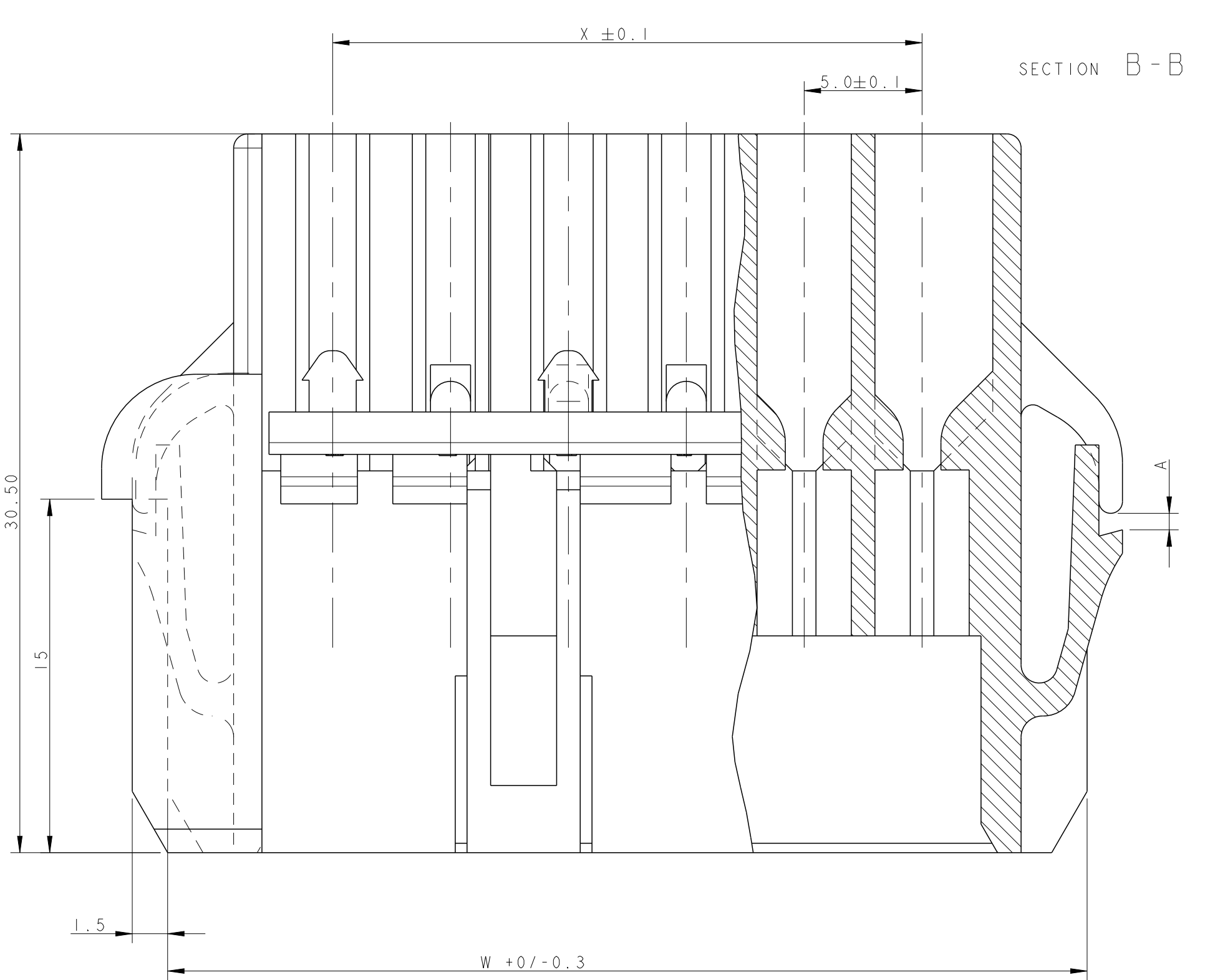
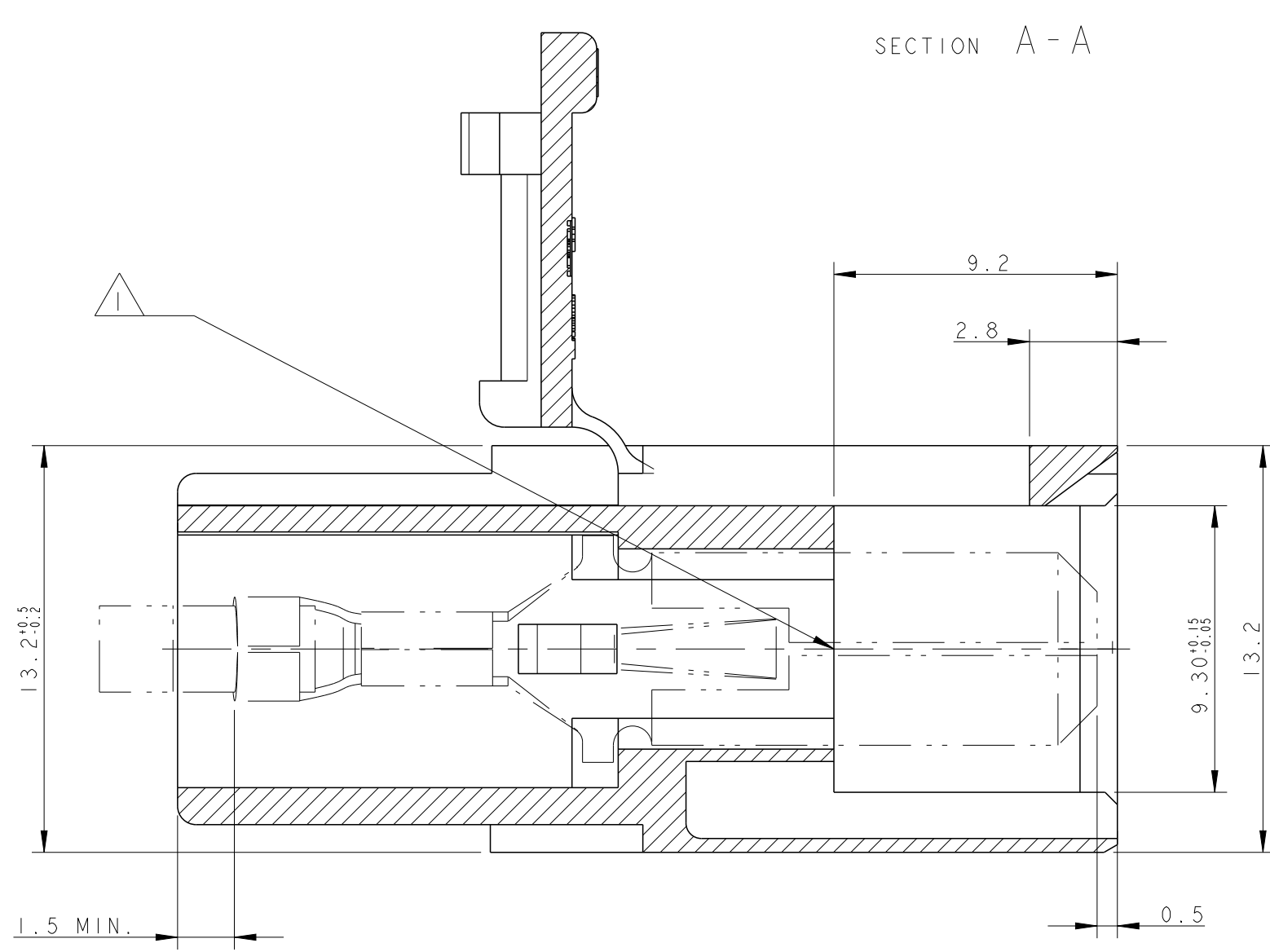
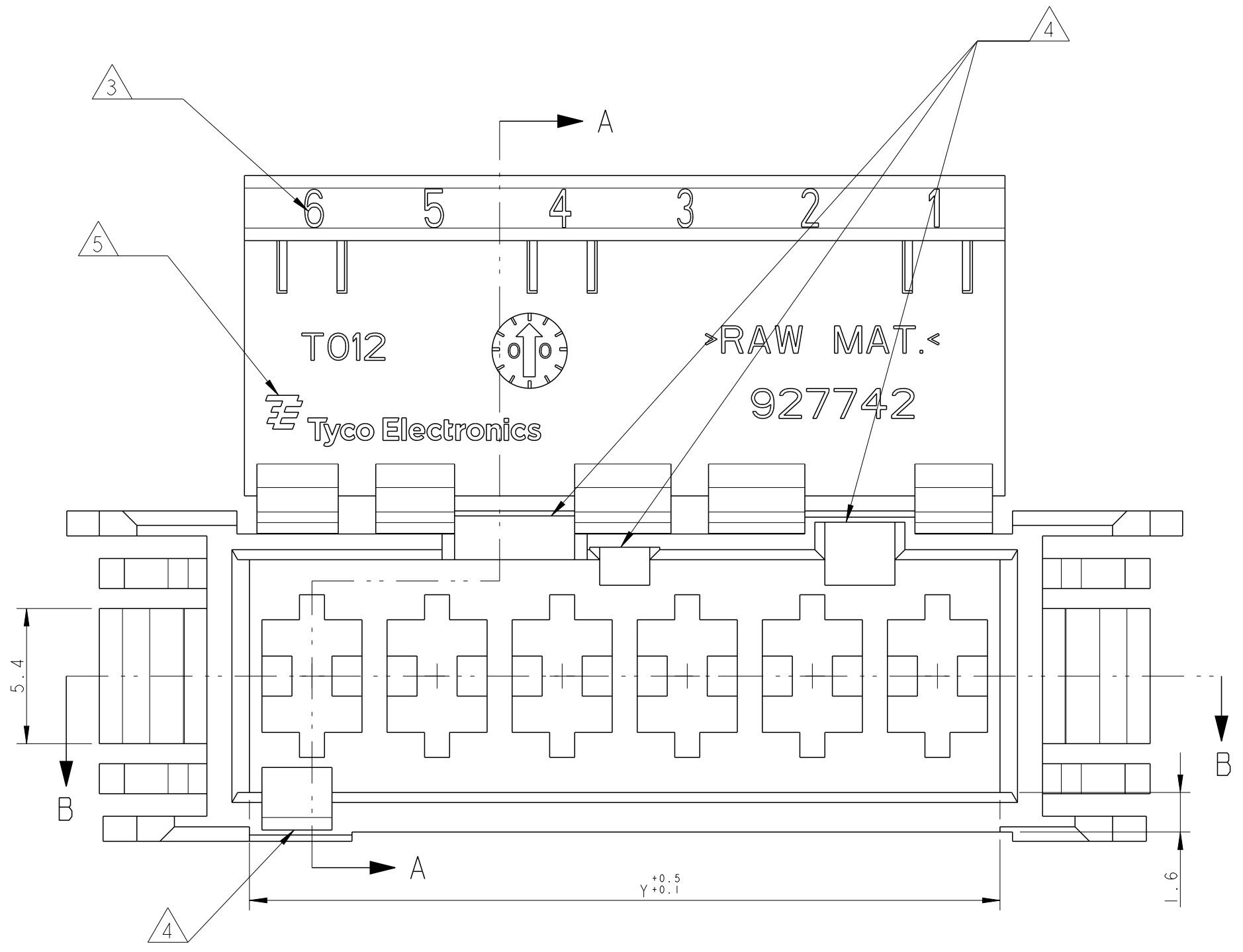
LOC		DIST		REVISIONS			
P	LTN	DESCRIPTION	DATE	DWN	APVD		
G6		ECR-15-012364	20AUG2015	SS	RR		



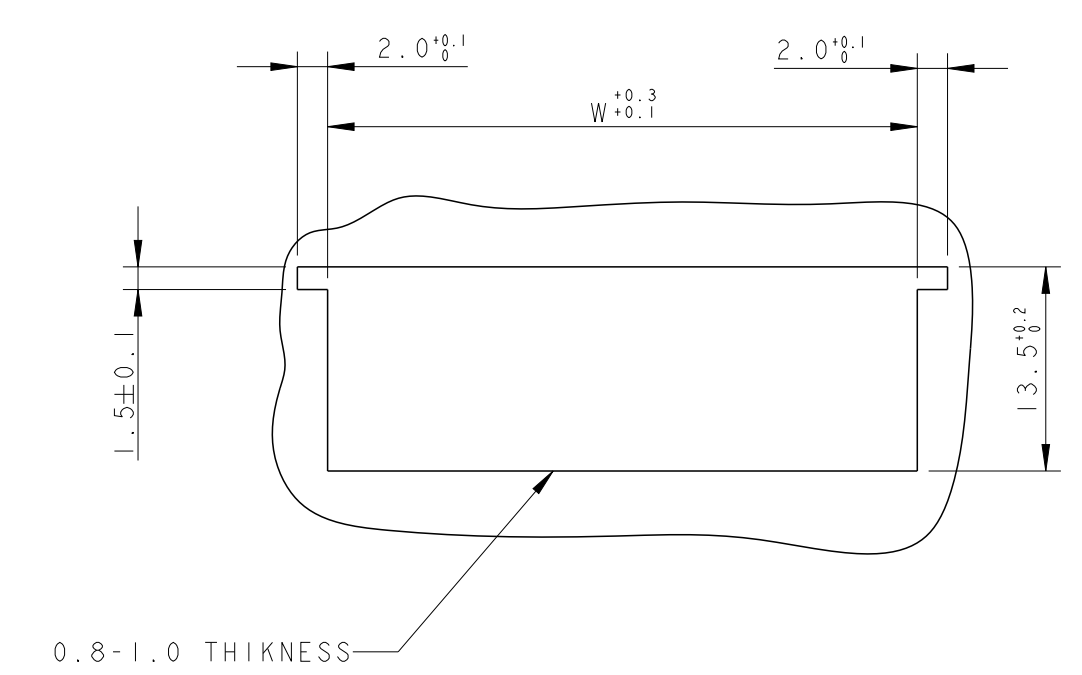
SCALE 1:1

1) TYPICAL CAVITY SUITABLE FOR:
 FASTIN-FASTON TAB CONTACTS 6.3 mm SRS:
 P/N: 60294, 0.3-0.8 mm² WIRE RANGE
 160691, 0.3-0.8 mm² WIRE RANGE
 AMPLIVAR CONTACTS:
 P/N: 141051, 0.1-0.5 mm² WIRE RANGE
 142411, 0.3-1.6 mm² WIRE RANGE
 MAX. INSULATION DIA. 2.8 mm,
 MAX. INSULATION CRIMP WIDTH 3.3 mm.

- 2) SEE TABLE FOR SUITABLE CONTERPART.
- 3) CIRCUIT IDENTIFICATION No. ACCORDING TO DIN 1451.
- 4) POLARIZATION KEYS DIMENSIONS AND POSITIONS ARE ACCORDING TO "RAST 5" NORM
- 5) TE TRADEMARK "LOGO" AND TYCO ELECTRONICS "PART NUMBER" OPTIONAL POSITION.
- 6) PACKAGING ACCORDING TO TE SPEC. 107-20248.
- 7) PRODUCT ACCORDING TO IEC 60335-1 NORM.
- 8) NOT TOOLED YET.
- 9) SPECIAL VERSION WITH LARGER GAP "A"
- 10) PRELIMINARY - NOT YET RELEASED FOR PRODUCTION



PANEL CUT DIMENSIONS SCALE 1:1



POS.	W	X	Y	PART-NO.	STANDARD TIMER	MULTI-FIT	MATERIAL	COLOUR	REV.	NOTE
12	-	-	-	-	-	-	-	-	-	-
11	-	-	-	-	-	-	-	-	-	-
10	-	-	-	-	-	-	-	-	-	-
9	-	-	-	-	-	-	-	-	-	-
8	-	-	-	-	-	-	-	-	-	-
7	44	30	35	2-927 742-7	0-927 740-7	3-828 353-7	UL94V-2	black	-	-
7	44	30	35	0-927 742-7	0-927 740-7	3-828 353-7	UL94V-2	natur	-	-
6	39	25	30	8-927 742-6	0-927 740-6	-	UL94-V0	natur	-	7
6	39	25	30	7-927 742-6	0-927 740-6	-	UL94V-2	natur	-	7
6	39	25	30	6-927 742-6	0-927 740-6	-	UL94V-0	black	-	-
6	39	25	30	5-927 742-6	0-927 740-6	-	UL94V-0	natur	-	-
6	39	25	30	0-927 742-6	0-927 740-6	-	UL94V-2	natur	-	-
5	34	20	25	0-927 742-5	0-927 740-5	3-828 353-6	UL94V-2	natur	-	9
4	29	15	20	9-927 742-4	0-927 740-4	3-828 353-4	UL94V-2	natur	-	7
4	29	15	20	0-927 742-4	0-927 740-4	3-828 353-4	UL94V-2	natur	-	-
3	24	10	15	9-927 742-3	0-927 740-3	4-828 353-3 6-828 353-3	UL94V-2	natur	-	7
3	24	10	15	5-927 742-3	0-927 740-3	4-828 353-3 6-828 353-3	UL94V-0	natur	-	-
3	24	10	15	2-927 742-3	0-927 740-3	4-828 353-3 6-828 353-3	UL94V-2	grey	-	-
3	24	10	15	1-927742-3	927740-3	4-828353-3 6-828353-3	UL94V-2	natur	1	7 9
3	24	10	15	0-927 742-3	0-927 740-3	4-828 353-3 6-828 353-3	UL94V-2	natur	-	-
2	19	5	10	9-927 742-2	4-927 740-2	-	UL94V-2	natur	-	7
2	19	5	10	8-927 742-2	-	-	UL94V-2	natur	-	7
2	19	5	10	5-927 742-2	4-927 740-2	-	UL94V-0	natur	-	-
2	19	5	10	0-927 742-2	4-927 740-2	-	UL94V-2	natur	-	9

PARTS LIST

DIMENSIONS: mm		TOLERANCES UNLESS OTHERWISE SPECIFIED:		DWN: YAALI Z2MAR2005		Tyco Electronics Tyco Electronics AMP Italia S.p.A. Corso F.lli Cervi, 15 COLLENO (TO)	
0 PLC ±		1 PLC ±0.2		CHK: G. TURCO		NAME: 2-12 POS. FASTIN-FASTON CONNECTOR	
2 PLC ±		3 PLC ±		APVD: -		PRODUCT SPEC: RAST 5, PANEL MOUNT VERSION	
4 PLC ±		ANGLES ±°		PRODUCT SPEC: -		APPLICATION SPEC: -	
MATERIAL: SEE TABLE		FINISH: SEE TABLE		WEIGHT: -		SIZE: A1	
CUSTOMER DRAWING		SCALE: 5:1		SHEET: 1 OF 1		REV: G6	